

The 304G solid-state percentage timer comes standard in a 120 SEC range with 15 SEC, 30 SEC, 60 SEC user configurable ranges. Additionally, all second ranges can become minute ranges by cutting jumper J0. The 304G is easily panel mounted with 4 screws. It utilizes an integrated circuit technology for high accuracy timing.

CONTACTS: The relay contact is capable of switching 10 A to a resistive 120 VAC or 30 VDC load. It is capable of driving a 1/3 HP load at 120 VAC.

CYCLE PROGRESS INDICATION: The 304G has a pilot light that is on solid during the relay off time. It blinks at a faster rate during the relay on time: once every 3.5 seconds during the first 10% of the cycle, twice during the second 10% and so on.

HIGH ACCURACY: The 304G's timing circuit is not a simple RC circuit. It utilizes the sophistication of a proprietary integrated circuit that includes counting technology along with a stable oscillator to provide repeatable time delays.

CONVENIENT ADJUSTMENT: Graduated in easily read 1% increments, the 304G provides continuous adjustment of on time between 5 and 95%.



Solid-State Percentage Timer

OPERATION

The 304G comes standard in the 120 SEC range but is user configurable for the 15 SEC, 30 SEC, 60 SEC by cutting jumpers from the PC board. Each of these ranges can also be made minutes range by cutting a jumper. Its solid-state circuitry repeatedly closes the SPST load switch for a percentage of the time cycle, as set on the timer dial, and opens it for the remainder of the cycle.

When the dial pointer is set below 3%, the load switch stays open for the full cycle; it remains closed when the pointer is set above 98%. This is true for all seconds ranges. Minute ranges have a 0.01% minimum.

If power is interrupted to the timer it will reset. When power is restored, the timer will begin a new time cycle.

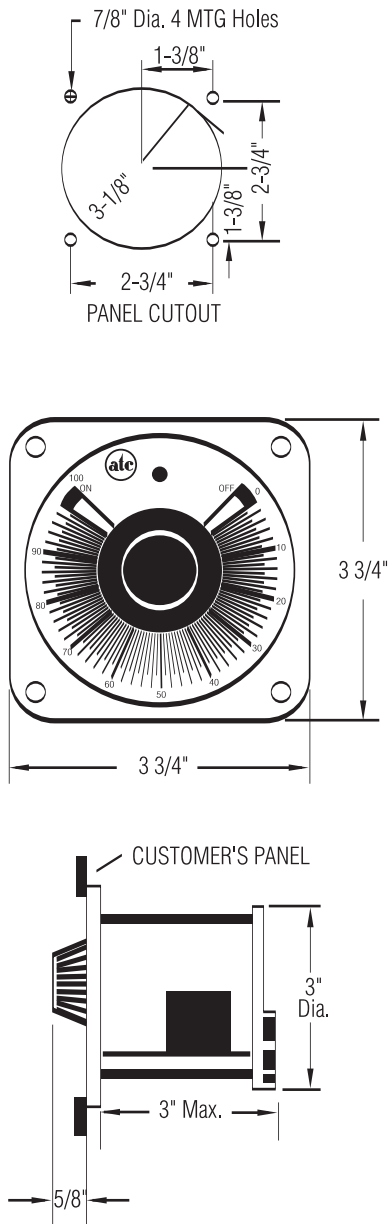
SPECIFICATIONS

MODEL	304G Non Plug-In
CONTACT RATINGS (non-inductive)	10A at 120 VAC
TEMPERATURE RATING	32° to 120°F (0° to 50°C)
SETTING ACCURACY	±5% of range 5 to 95% on time, in 1% graduations. FULL ON, FULL OFF FEATURE. When pointer is set below 3%, load switch contacts are open continuously; above 98%, contacts are closed continuously in all seconds ranges. Minute ranges have a 0.01% minimum.
RANGES	Standard 120 SEC range three configurable ranges of 15 SEC, 30 SEC, 60 SEC, 15 MIN, 30 MIN, 60 MIN and 120 MIN
LOAD RELAY	One SPST Relay
POWER REQUIREMENTS	120V, 50/60 Hz; 50mA running current 240V, 24V and 24 VDC also available
TERMINALS	4 screw terminals accessible at rear; wiring diagram on housing
WEIGHT	Net: 5.6 oz. Shipping: 1 lb.

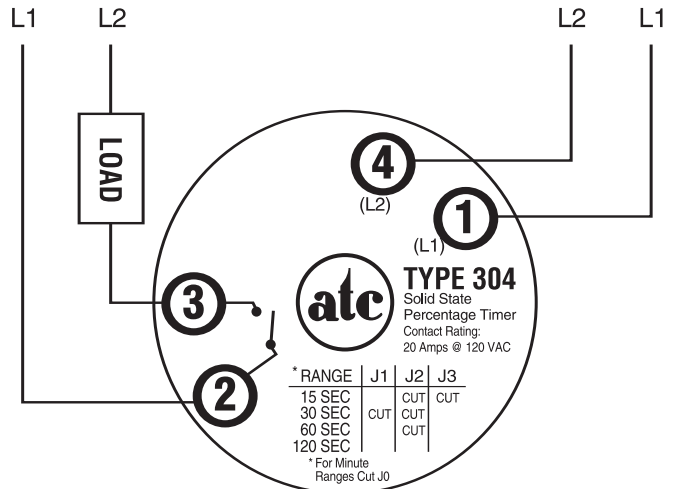
MODEL NUMBER >>>>>	304G			
Range				
Multi-range, Jumper Selectable* 15/30/60/120 SEC *Factory Set to 120 Sec Range	400			
15 SEC	004			
30 SEC	006			
60 SEC	007			
Voltage & Frequency				
120 VAC, 50/60 Hz		Q		
240 VAC, 50/60 Hz		R		
24 VAC, 50/60 Hz		T		
24 VDC		N		
Dial Calibration				
Standard		00		
Reverse Dial		01		
Features				
Standard			XX	
Special			XK	

Percentage Timer // 304G Series

DIMENSIONS (INCHES)



WIRING



REAR VIEW OF TIMER

CHART 1
*Range of Configuration

Range	J1	J2	J3
15 SEC	IN	OUT	OUT
30 SEC	OUT	OUT	IN
60 SEC	IN	OUT	IN
120 SEC	IN	IN	IN

*For same minute ranges, cut J0

Examples:
1. J2 cut makes a 60 SEC range
2. J2 and J0 makes a 60 MIN Range etc.

USER CONFIGURATION

